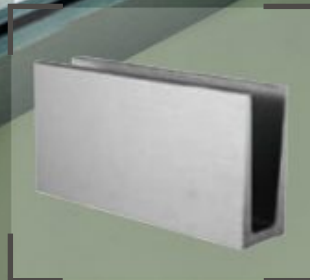




steel^o
architectural hardware

ALUMINUM ALLOY RAILING
Professional Railing Series



MODEL
EVOLATE

Product Name : U - shaped aluminium channel railings

Installation Method : Floor mounting

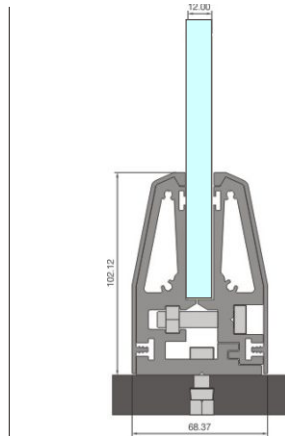
Outdoor Notice : The specification of railing system can
be custom-made

Railing System

ELEVATO - 1



ACTUAL 3-D DIAGRAM



DETAILED DIAGRAM

Advantages :

- Rust Free
- Maintenance Free
- Sleek Look
- Continous Railing System
- Suitable for 12mm Glass
- Wide range of Finishings

Disadvantages :

- Cannot be used on stairs
- Cannot be used on circular paths

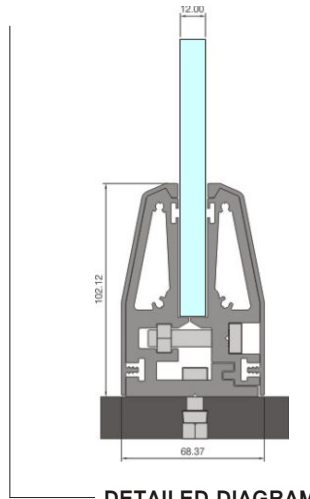


Railing System

ELEVATO - 2



ACTUAL 3-D DIAGRAM



DETAILED DIAGRAM

Advantages :

- Rust Free
- Maintenance Free
- Sleek Look
- Continuous Railing System
- Suitable for 12mm Glass
- Wide range of Finishings

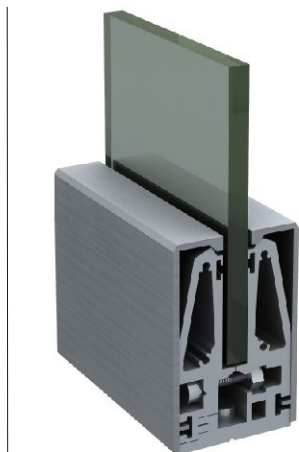
Disadvantages :

- Cannot be used on stairs
- Cannot be used on circular paths

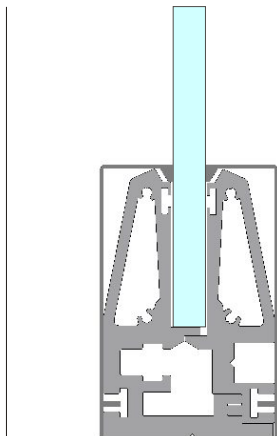


Railing System

ELEVATO - 3 & 4



ACTUAL 3-D DIAGRAM



DETAILED DIAGRAM

Advantages :

- Rust Free
- Maintenance Free
- Sleek Look
- Continuous Railing System
- Suitable for 12mm Glass
- Wide range of Finishings

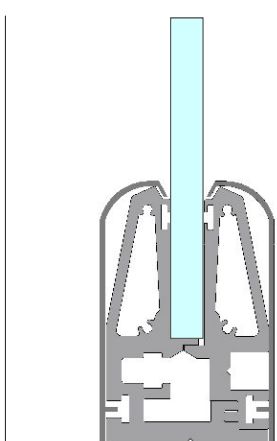
Disadvantages :

- Cannot be used on stairs
- Cannot be used on circular paths

ELEVATO - 5 & 6



ACTUAL 3-D DIAGRAM



DETAILED DIAGRAM

Advantages :

- Rust Free
- Maintenance Free
- Sleek Look
- Continuous Railing System
- Suitable for 12mm Glass
- Wide range of Finishings

Disadvantages :

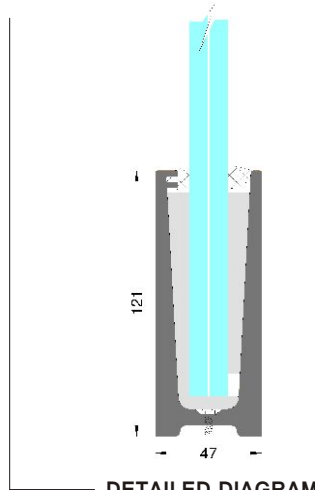
- Cannot be used on stairs
- Cannot be used on circular paths

Railing System

EVOLATE



ACTUAL 3-D DIAGRAM



DETAILED DIAGRAM

Advantages :

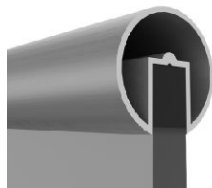
- Rust Free
- Maintenance Free
- Sleek Look
- Continuous Railing System
- Suitable for 21 mm Glass
- Wide range of Finishings
- Can be used on stairs
- Can be used as side mounting



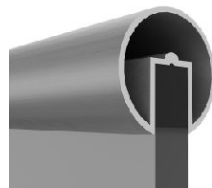
Railing System



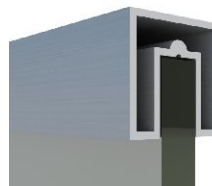
HANDRAILS



50 mm Handrails



65 mm Handrails



50 x 50 mm Handrails

ELBOWS



WALL END CAP



NUT & BOLT



JOIN US



FACTORY

B/h Bimal Tyre, Nr. Old Tall Plaza,
Rajkot Gondal Highway, Kothariya
RAJKOT - 360008 [Gujarat] INDIA.

MARKETING

+ 91 90330 13331
+ 91 90332 13331

E - MAIL

steelorailing@gmail.com
Sales@steelo.net.in

